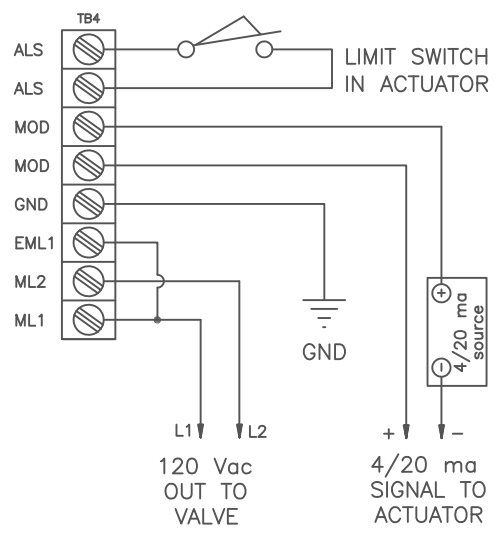


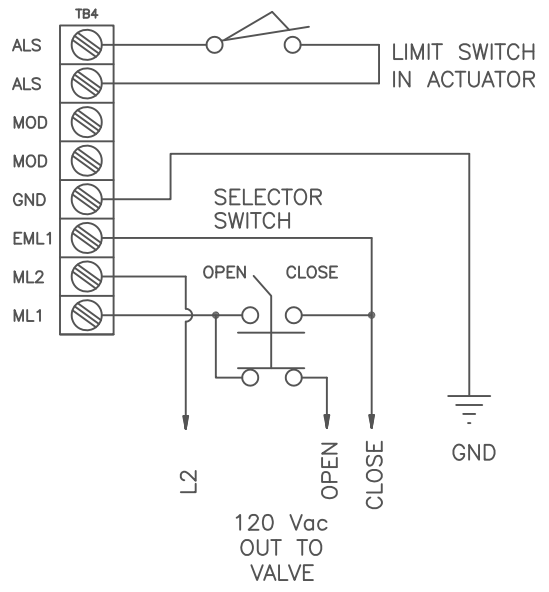
FAIL SAFE TERMINAL BLOCK



TYPICAL CONNECTION FOR MODULATING ACTUATORS

FOR THIS TYPE OF CONNECTION
INSTALL A JUMPER BETWEEN
TERMINALS ML1 AND EML1

FAIL SAFE TERMINAL BLOCK



TYPICAL CONNECTION FOR NON-MODULATING ACTUATORS

THE USE, DUPLICATION, OR DISCLOSURE OF THIS DATA <<IN WHOLE OR IN PART>> FOR THE MANUFACTURING OR PROCUREMENT WITHOUT THE WRITTEN PERMISSION OF (NAME) IS PROHIBITED.				NAME HERE ADDRESS, PHONE	
Reference #		DESIGN BY:	DATE:	CUSTOMER:	TITLE:
REFERENCE	DATE	NAME	DATE	CUSTOMER	TITLE
REV: #	DATE OF REV:	SHIPPED:	DRAWING NO.	REMARKS:	REMARKS
#	DATE	DATE	DRAWING-NO.	DRAWING-NO.	SHEET No. XX of XX