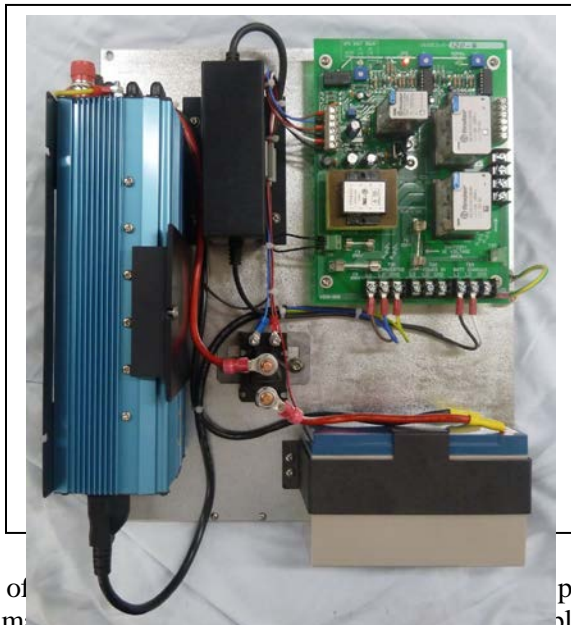


Introducing the new 1620ESv2 Series

Now more compact, more features and smaller price

New Electronic Failsafe Controller, with many standard features:

- **Timed or Instant Power Transfer Selection**
- **Auto or Timed UPS Shut Down Selection**
- **Actuator Supplied Power Status LED**
- **Controller Power Indicator LED.**
- **UPS Shut Down Indicator LED**
- **Remote Test Switch Incorporated**
- **Heater / Fan Power Ready**



- **Normal Power Fuse Protection**
- **Emergency Power Fuse Protection**
- **UPS Emergency Power Reset Ready**
- **Modulating or NON-Modulating Valves.**
- **Heavy Duty Power Inverter**
- **Automatic Switch-Mode Battery Charger.**
- **Maintenance Free Operation Battery.**

We offer a powerful, small size and yet the most economical system on the market that can supply currents from 1 to 100 running amps.

Our Failsafes are offered in all types of NEMA enclosures, working voltages are 120 or 240Vac.

Call Us for full line, price and information.

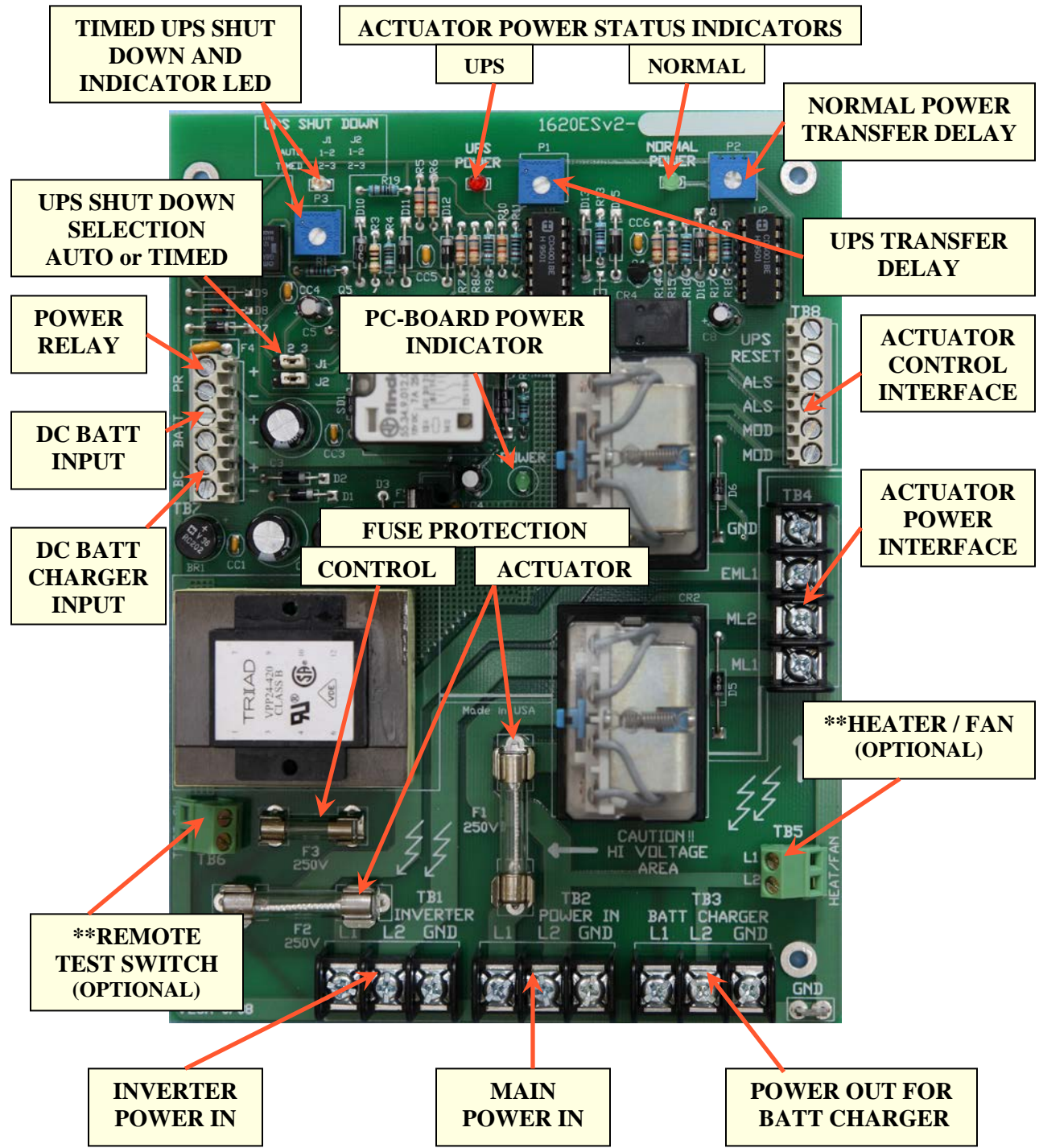
Resurge Failsafe LLC. - P.O. Box 984, ME 04062

To order call: 1 (207) 939-8112

www.resurgefailsafe.com

1620ESv2 SERIES ELECTRONIC FAILSAFE

1620ESv2 SERIES STANDARD FEATURES AND A NEW LOW PRICE



**** Terminal Block is installed on PC-Board, FAN, HEATER or SWITCH may be ordered as an option from Resurge Failsafe LLC.**